

# SBL 134R-12i

## 12V 134Ah

SBL 134R-12i is a high performance ABS battery with 10-12 years lifetime in standby service or more than 400 cycles at 50% depth of discharge in cycle service.

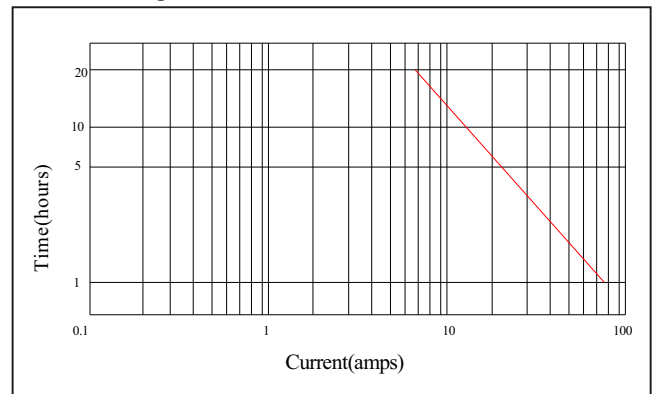
### ☆ SPECIFICATION

● NOMINAL VOLTAGE	: 12V
● NOMINAL CAPACITY(20 hr)	: 134Ah
● DIMENSIONS	
TOTAL HEIGHT	: 288 mm (11.4 inches)
CONTAINER HEIGHT	: 283 mm (11.1inches)
LENGTH	: 341 mm (13.4 inches)
WIDTH	: 172.5 mm (6.79 inches)
● WEIGHT	: APPROX 42.5Kg (93.6lbs)
● CONTAINER MATERIAL	: UL94HB ABS
	: UL94V-0 ABS
● INTERNAL RESISTANCE( 25°C , 77 °F )	: ~3.8m
● DISCHARGE CAPACITY UNDER DIFFERENT TEMPERATURES	
40°C	: ~102%
25°C	: ~100%
0 °C	: ~85%

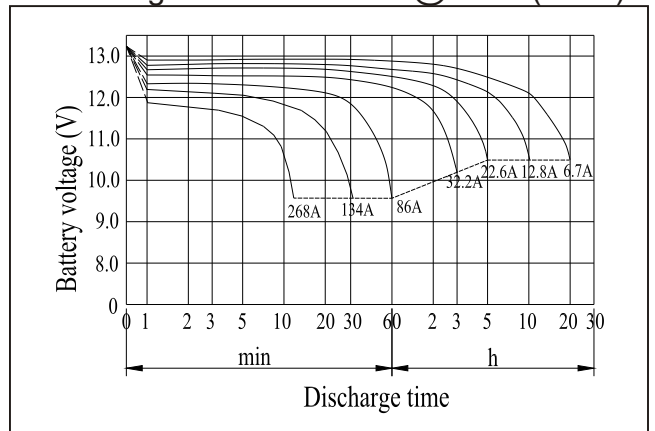
### ☆ CHARACTERISTICS

● CAPACITY 25°C/77°F	
20hr @ 6.7A	:134 Ah
5hr @ 22.6A	:113Ah
1hr @ 86A	:86 Ah
1C @ 134A	:67 Ah
● CAPACITY 25°C/77°F	
STANDBY USE	:13.7V±0.10V
CYCLE USE	:14.7V ± 0.3V
● MAX DISCHARGE CURRENT	:1000A(5sec)
● MAX CHARGING CURRENT	:40A
● SELF-DISCHARGE RESIDUAL CAPACITY	
AFTER 3 MONTHS	:~90%
AFTER 6 MONTHS	:~82%
AFTER 12 MONTHS	:~70%

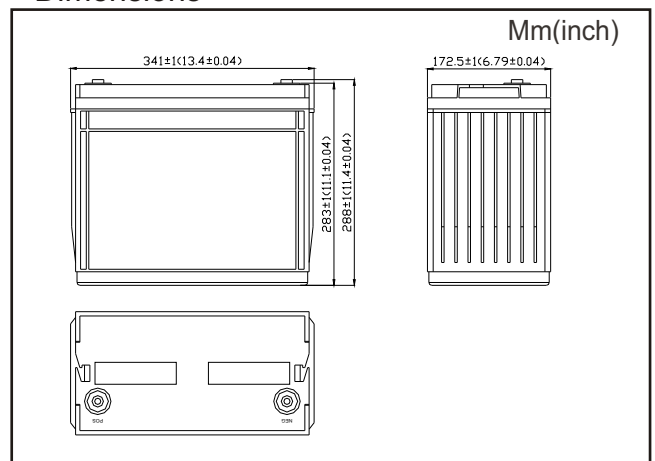
### ☆ Discharge Current vs Time



### ☆ Discharge Characteristics @25 °C (77 °F)



### ☆ Dimensions



### ☆ Terminal

