

SCU autonomy overview based on +/-384VDC stings and PF=0.9
Battery block 12VDC-55Ah longlife

Strings [#] Autonomy [min] Power [kVA]	1	2	3	4	5	6	7	8	
10	240								minutes
20	110								minutes
25	83	194							minutes
30	66	155							minutes
40	45	109	180						minutes
50	35	83	136	194					minutes
60	25	66	109	155	204				minutes
70	19	54	90	128	168	212			minutes
75	17	50	83	120	155	194	236		minutes
80	15	45	77	110	144	180	218		minutes
90	13	39	66	95	124	155	187	222	minutes
100	11	33	58	84	109	136	164	194	minutes
120	8	25	45	66	88	109	132	155	minutes
125	8	23	43	63	83	104	125	147	minutes
150	6	18	33	50	66	82	101	118	minutes
160	6	17	30	46	61	77	93	110	minutes
175	5	16	25	40	55	69	83	98	minutes
200		11	20	33	46	58	70	83	minutes
225		9	17	27	39	50	60	72	minutes
240		8	15	25	36	46	56	66	minutes
250		8	14	23	33	43	53	63	minutes
275		7	12	20	28	38	47	56	minutes
Number of strings	1	2	3	4	5	6	7	8	
Number of blocks	64	128	128	128	128	128	128	128	

SCU 19inch battery drawer solution

CU Battery string +/- 384VDC – 9Ah including BMS

Contains:

2x 4U Battery shelves fits any 19inch frame with minimum depth of 800mm
8x Battery drawers HOTSWAPPABLE including 8x8x12VDC-9Ah long-life batteries
8x BMS based on string balance measuring of 8x12VDC string based on visual conditional LED indication

Dimensions:

2x Metal battery shelf: 4Ux19inchx600mm hxbxd, weight 5 kg per shelfe
8x Metal battery tray fits into battery shelfe, weight 25 kg per tray
Total weight 1 full battery string with 64 blocks 212 kg
Maximum 4 strings into one 600mmx800 x42U cabinet

SCU BMS controller per battery cabinet

Contains:

19inch housing, 1Ux 300mm depth, used 1 per battery cabinet
Connects to BMS sensors of maximum 4 battery strings
Connects to three included battery sensors
Safes up to 18 months of historical battery info
Connects to engineers system for read out
Connects to UPS CMS-CSU monitoring module for general alarm

SCU Fuse-box 9Ah two strings

Contains:

1x Metal fusebox: 4Ux19inchx150mm hxbxd, weight 5 kg per box
2x Fuseholder with 3x50A ceramic fuses
Cable between UPS and fuse-box based on side by side installation

SCU Fuse-box 9Ah four strings

Contains:

1x Metal fusebox: 4Ux19inchx150mm hxbxd, weight 5 kg per box
4x Fuseholder with 3x50A ceramic fuses
Cable between UPS and fuse-box based on side by side installation

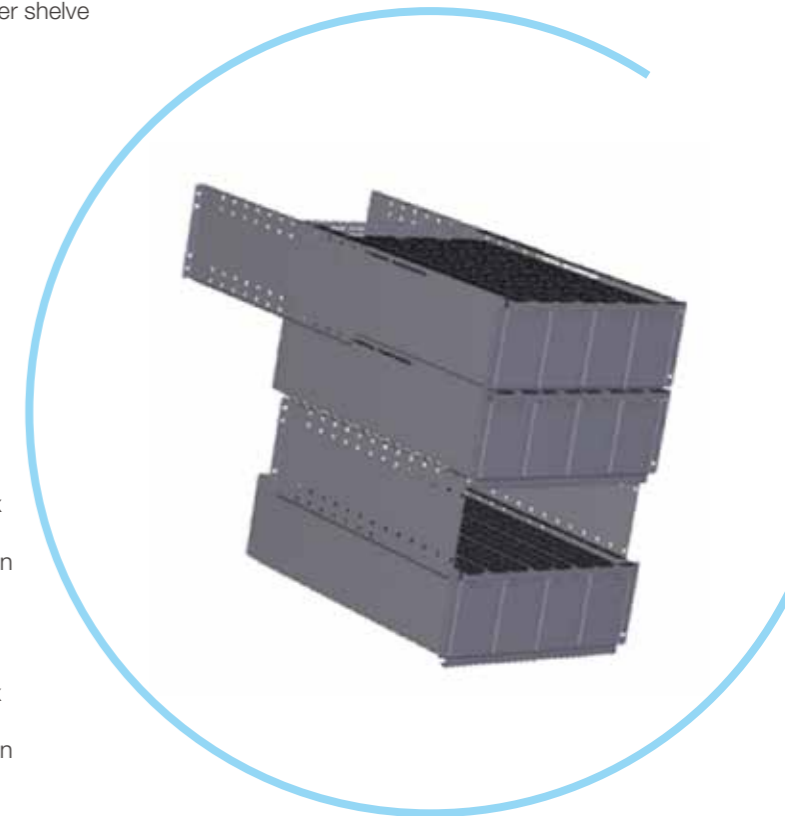
SCU Battery string +/- 384VDC – 28Ah incl. BMS

Contains:

3x Battery shelves fit into a 800x1000x42U 19 inch cabinet (19 inch profiles not used)
Shelves are pre-loaded with 2x 20 and 1x24 = 64 blocks of 28Ah batteries
8x BMS based on string balance measuring and visual LED indication

Dimensions:

Total weight 1 full battery string with 64 blocks
632 kg
Shelve size : 35(H)x690(W)x928(D) mm per shelfe
Maximum 2 strings into one 800x1000 x42U 19 inch cabinet (19 inch profiles not used)



SICON CHAT UNION Electric Co.,Ltd.

Address: Bldg.14&15, No.319, Xiangjiang Street, High-Tech Zone, Shijiazhuang, China(050035)
Tel:(+86-311)85903698 Fax:(+86-311)85903718 <http://www.scupower.com>

SCU

SCU autonomy overview based on +/-384VDC stings and PF=0.9
Battery block 12VDC-9Ah longlife

Strings [#] Autonomy [min] Power [kVA]	1	2	3	4	5	6	7	8	
10	24	58	87	132	170	217	257	290	minutes
20	9	24	40	58	75	93	113	132	minutes
25	6	18	31	45	58	72	86	101	minutes
30	5	15	24	35	47	58	70	81	minutes
40		9	17	24	32	40	50	58	minutes
50		6	12	18	24	31	37	45	minutes
60		5	8	15	19	24	30	35	minutes
70			7	11	16	20	24	29	minutes
75			6	10	15	18	22	26	minutes
80			6	9	13	17	20	24	minutes
90			5	7	11	15	18	21	minutes
100				6	9	12	16	18	minutes
120				5	7	9	12	15	minutes
125					6	9	11	14	minutes
150					5	6	8	10	minutes
160						6	7	9	minutes
175						5	6	8	minutes
200							5	6	minutes
Number of strings	1	2	3	4	5	6	7	8	
Number of blocks	64	128	192	256	320	384	448	512	

SCU autonomy overview based on +/-384VDC stings and PF=0.9
Battery block 12VDC-28Ah longlife

Strings [#] Autonomy [min] Power [kVA]	1	2	3	4	5	6	7	8	
10	116	242	86						minutes
20	50	115	187						minutes
25	35	90	144						minutes
30	28	71	115	163	216				minutes
40	18	49	83	115	151	188	229		minutes
50	14	36	48	90	115	144	172	204	minutes
60	11	28	49	72	94	115	139	163	minutes
70	10	22	40	60	78	97	115	136	minutes
75	9	20	35	54	72	90	107	124	minutes
80	8	18	33	50	66	83	99	115	minutes
90	7	16	28	42	57	72	86	101	minutes
100	6	14	24	36	50	63	76	89	minutes
120	5	11	18	27	38	50	60	72	minutes
125		11	17	26	36	47	57	68	minutes
150		9	14	20	28	36	45	54	minutes
160		8	13	18	25	33	41	50	minutes
175		7	12	17	22	29	36	44	minutes
200		6	10	14	18	24	30	36	minutes
225		5	9	12	16	20	25	30	minutes
240			8	11	15	18	23	27	minutes
250			7	11	14	17	22	26	minutes
275			6	10	12	15	19	23	minutes
Number of strings	1	2	3	4	5	5	5	5	
Number of blocks	64	128	192	256	320	320	320	320	

SCU Battery string +/- 384VDC – 55Ah incl. BMS

Contains:

4x Battery shelves fit into a 800x1000x42U 19 inch cabinet (19 inch profiles not used)
Shelves are pre-loaded with 4x 16 = 64 blocks of 55Ah batteries
8x BMS sensor based on string balance measuring and visual LED indication

Dimensions:

Total weight 1 full battery string with 64 blocks 1176 kg
Shelve size : 35(H)x690(W)x928(D) mm per shelve
Maximum 1 string into one 800x1000 x42U 19 inch cabinet (19 inch profiles not used)

SCU BMS controller per battery cabinet

Contains:

19inch housing, 1Ux 300mm depth, used 1 per battery cabinet
Connects to BMS sensors of maximum 4 battery strings
Connects to three included battery sensors
Safes up to 18 months of historical battery info
Connects to engineers system for read out
Connects to UPS CMS-CSU monitoring module for general alarm

SCU Battery breaker for one 28Ah string

Contains:

1x Battery breaker 400A positioned in top of cabinet
Cable between UPS and fuse-box based on side by side installation

SCU Battery breaker for one 55Ah string

Contains:

1x Battery breaker 400A positioned in top of cabinet
Cable between UPS and fuse-box based on side by side installation

Note:

Battery shelves make use of supporting L-profiles need to be installed on the base frame of the 19 inch cabinet (not the 19 inch profiles)
19 inch cabinet 42U needs to be able to carry 1500kg static weight

